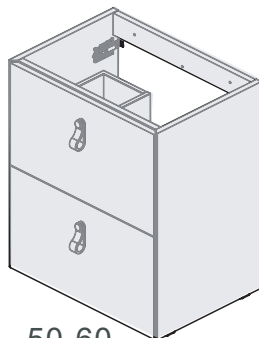
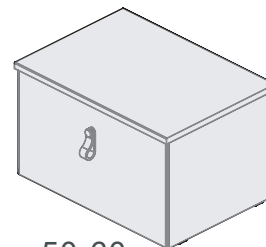


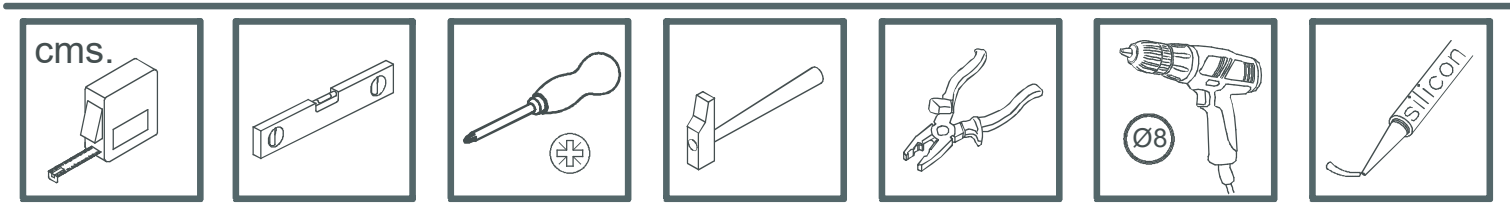
50-60



50-60



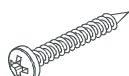
50-60



x2

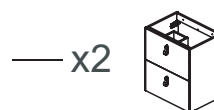


x4

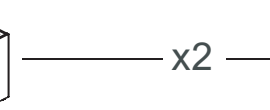


x4

BO-719



x2



x2

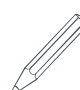
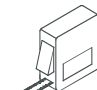
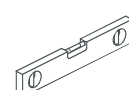


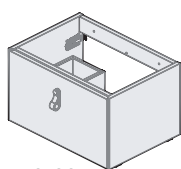
x1



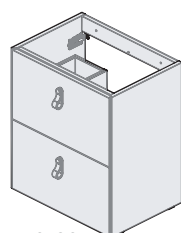
x1




01.   cms. 

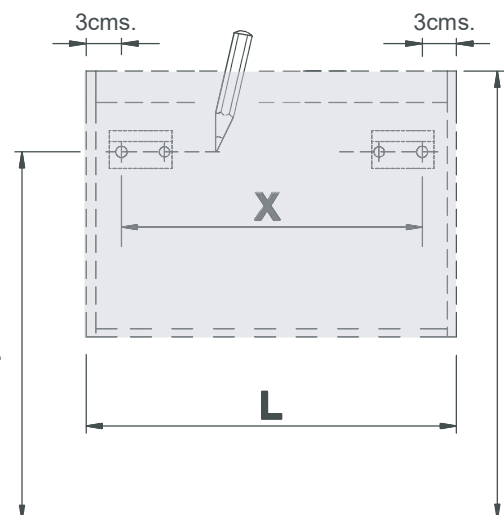


50-60



50-60


74,2cms.



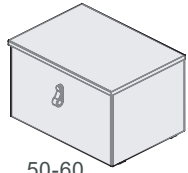
85cms.

L:50cms. → X=43,5cms.
L:60cms. → X=53,5cms.

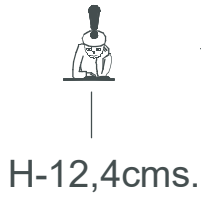
02.



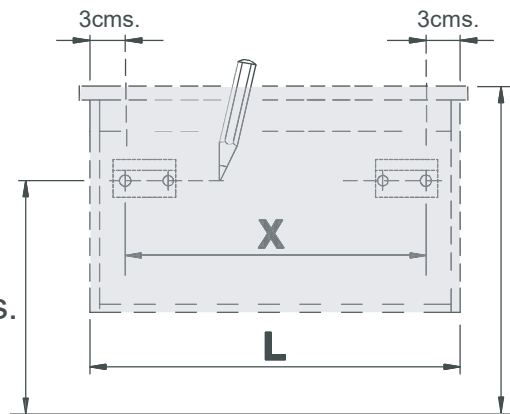
cms.



50-60



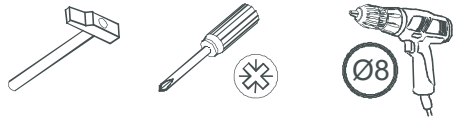
H-12,4cms.



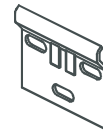
Hcms.

L:50cms. → X=43,5cms.
L:60cms. → X=53,5cms.

03.



Ø8



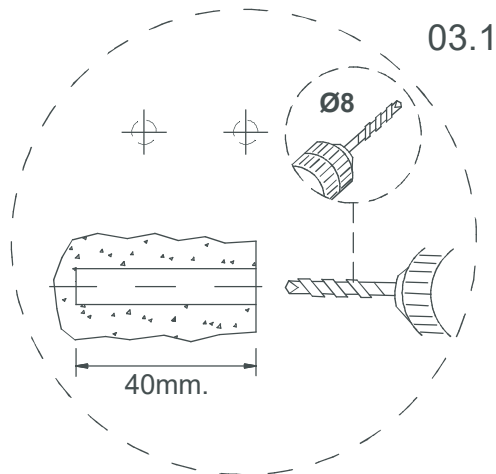
x2



x4



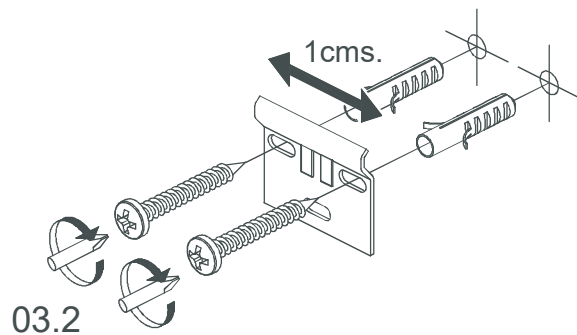
x4



03.1

40mm.

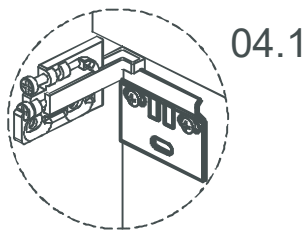
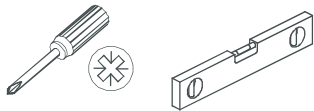
Ø8



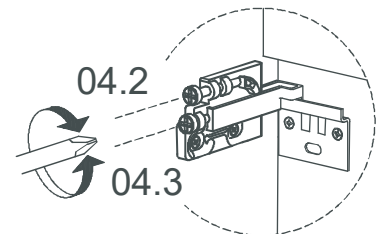
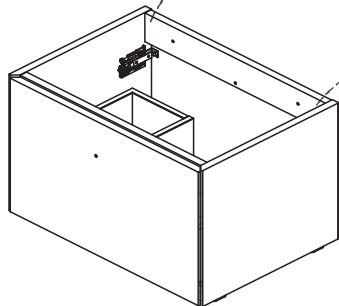
03.2

1cms.

04.

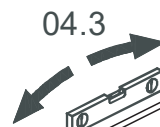


04.1

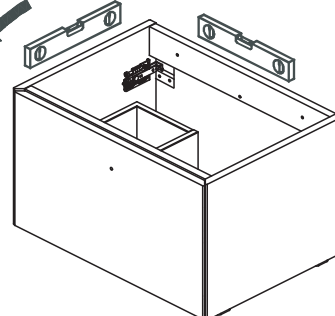


04.2

04.3

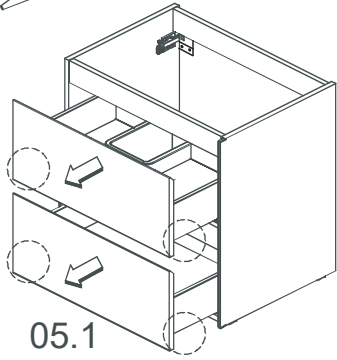


04.3

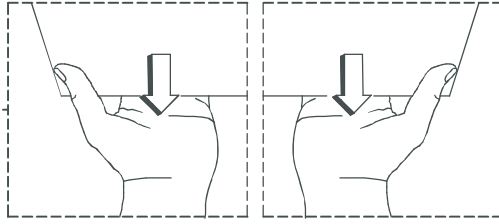


04.2
±1cms.

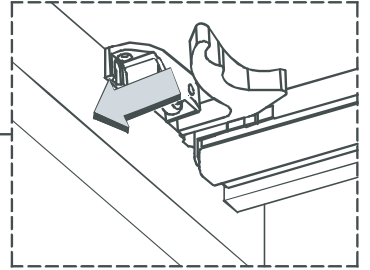
05.



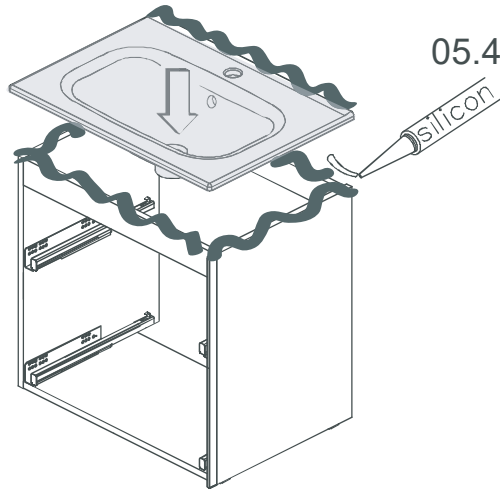
05.1



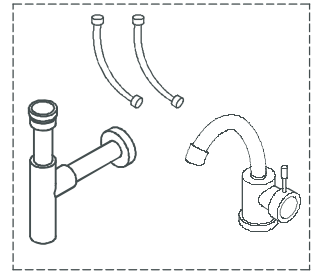
05.2



05.3

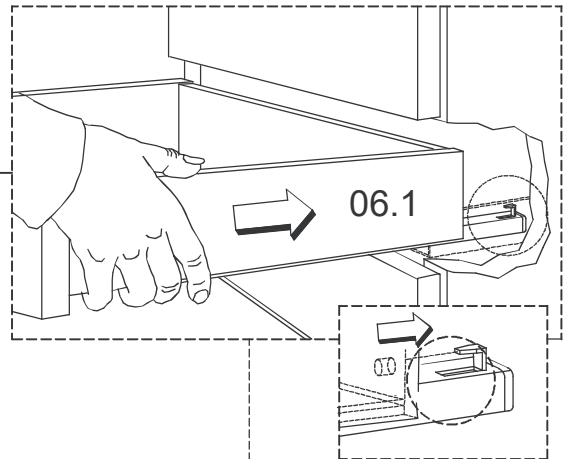
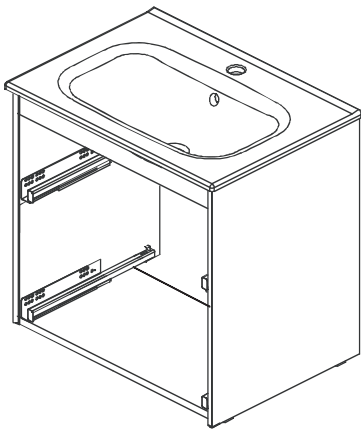


05.4

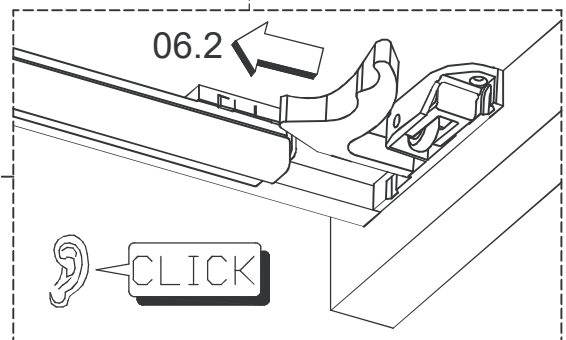
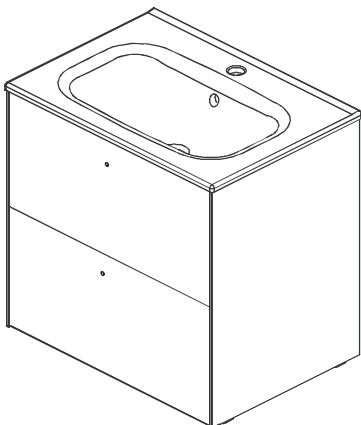


05.5

06.



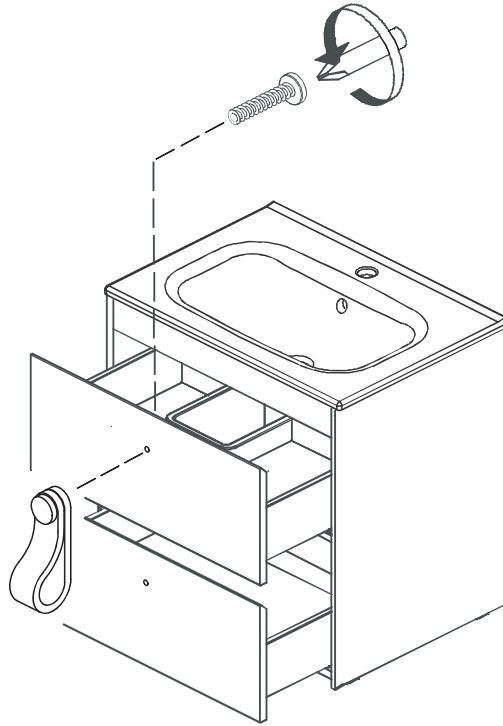
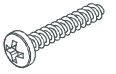
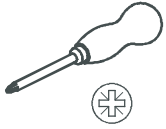
06.1



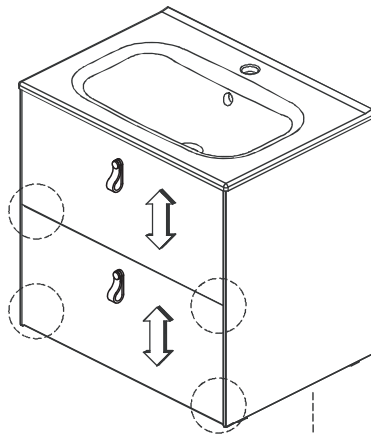
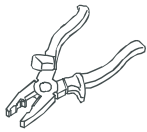
06.2

CLICK

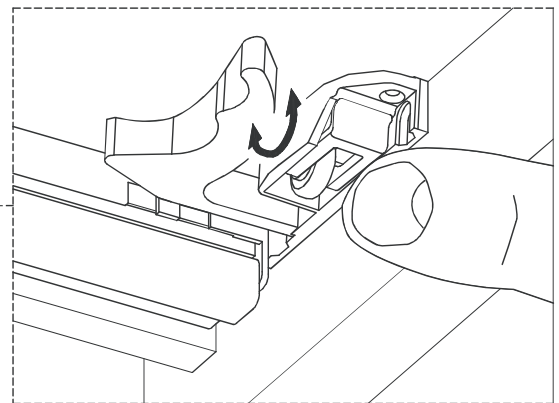
07.



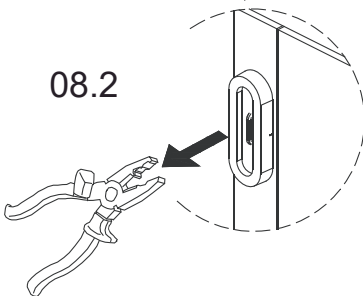
08.

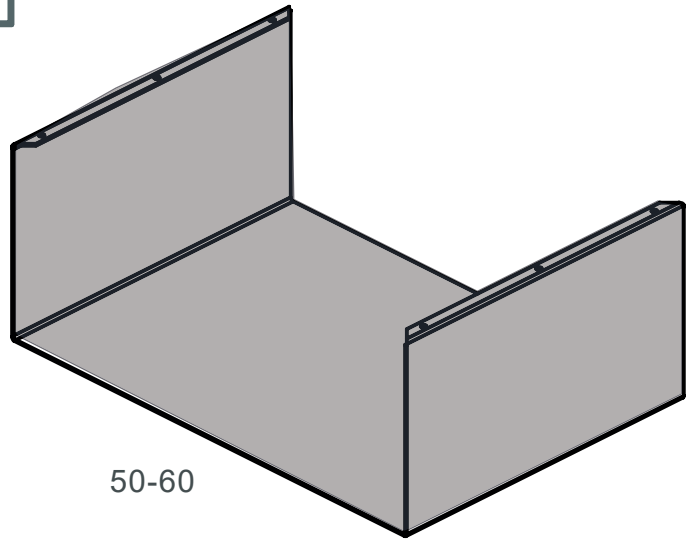
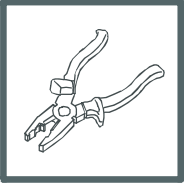
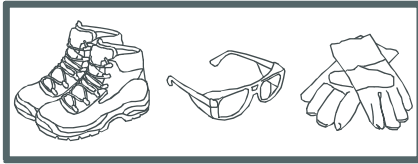


08.1

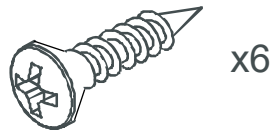


08.2



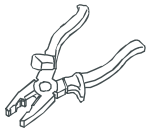


50-60

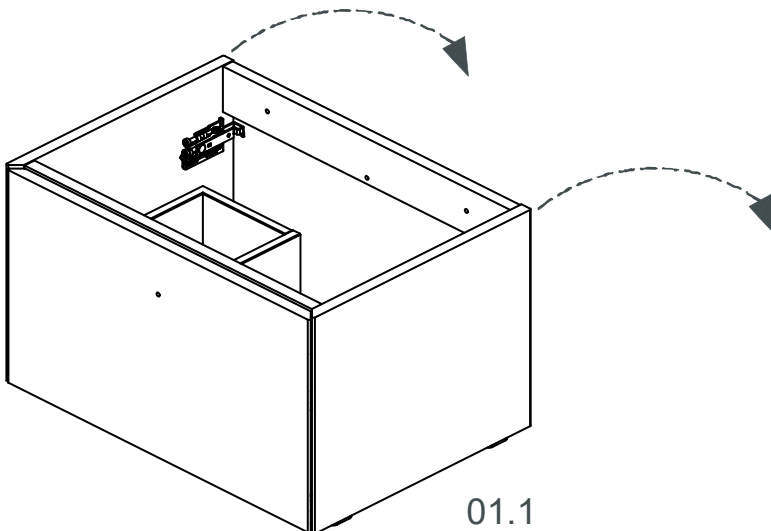
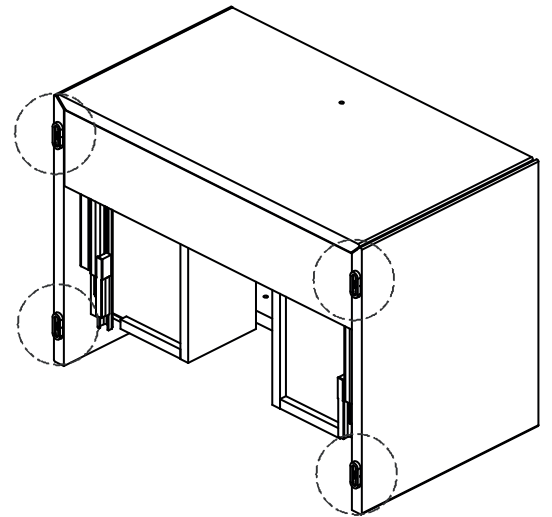
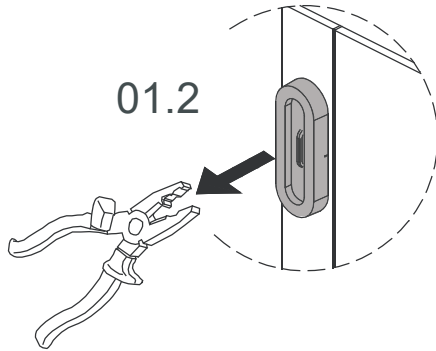


x6

01.

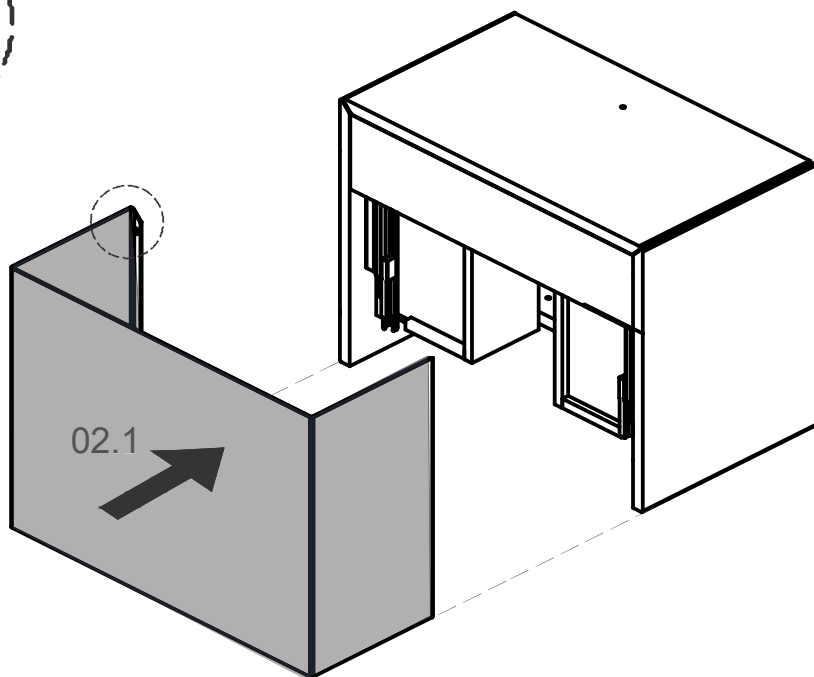
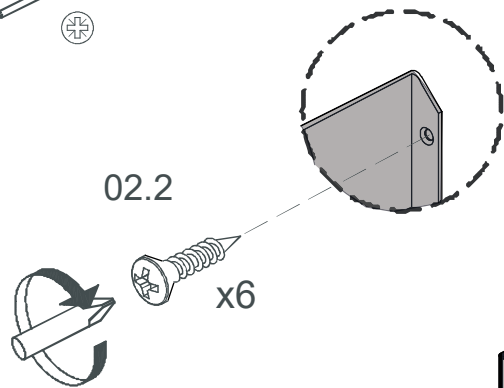
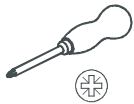


01.2



01.1

02.



03.

